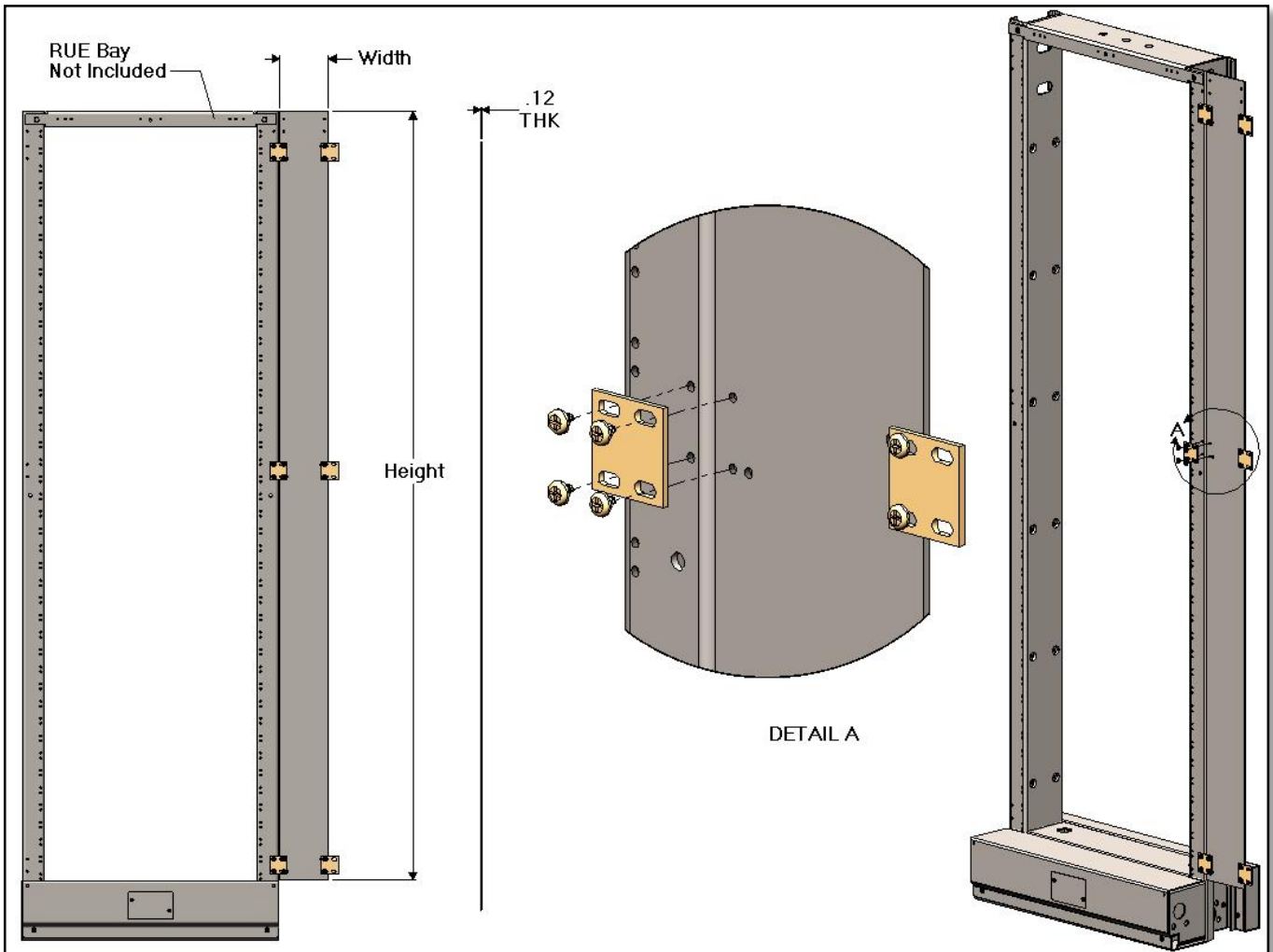




FLA Series - Unequal Flange Filler Panel + Mounting Hardware



FLA Series 2.50" Unequal Flange Filler Panel		
CSF P/N#	Width	Height
FLA125xx	2.50"	77.88"
FLA135xx	2.50"	101.88"
FLA147xx	2.50"	131.88"

FLA Series 5.00" Unequal Flange Filler Panel		
CSF P/N#	Width	Height
FLA225xx	5.00"	77.88"
FLA235xx	5.00"	101.88"
FLA247xx	5.00"	131.88"

Notes:

- Other sizes and finishes available upon request.
- Kit includes all Mounting Hardware and Filler Panel only.
- RUE Bay - Not Included

Specifications subject to change. Please contact CSF Customer Service for more information.